

# ANEMOMETERS



### Art. 67179

Portable anemometer mod. "Anemo", only for wind's speed

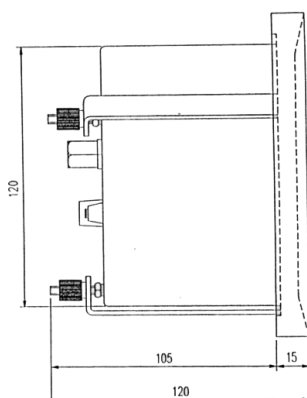
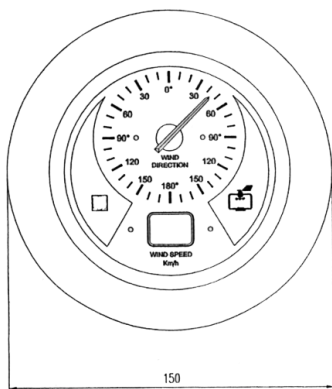
**Art. 67179/A** at instantaneous reading

**Art. 67179/B** with stop device



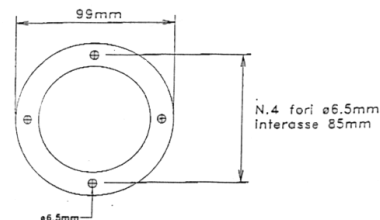
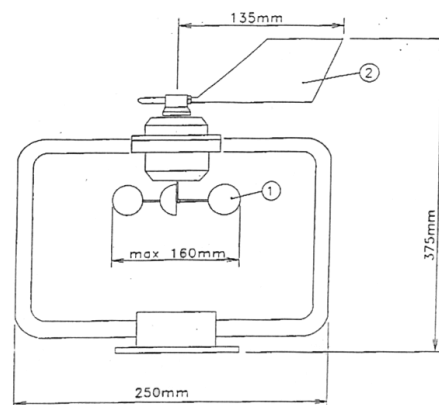
### Art. 068 (TAN 40136) + 068/T (ANM 10013)

Anemometrical fixed professional equipment for both wind direction and speed composed by combined two arm antenna transmitter (TAN 40136) with 30 mt cable and a double indication receiver for wind speed (80 knots) and direction (ANM 10013). Power supply 24 V.



**Cod. ANM 10013**

Strumento serie 012 indicatore direzione e velocità vento



**Cod. TAN 40136**

Trasduttore combinato velocità+direzione

RISPETTI :

① GIRANTE ANMB0800

② BANDIERINA DI DIREZIONE ANMB0802